

Receiver

From

Company
Reference
Address
Phone
Fax
E-mail

Item n° : Customer pos. no.:

60147200

Model :

ESYBOX

Pump data

Pressure rating : 7,895 atm
SETTABLE CONSTANT PRESSURE FROM 0,98680 5,922 atm
Min. fluid temperature : 0 °C
Max. fluid temperature : 40 °C
Max. Ambient temperature : 50 °C

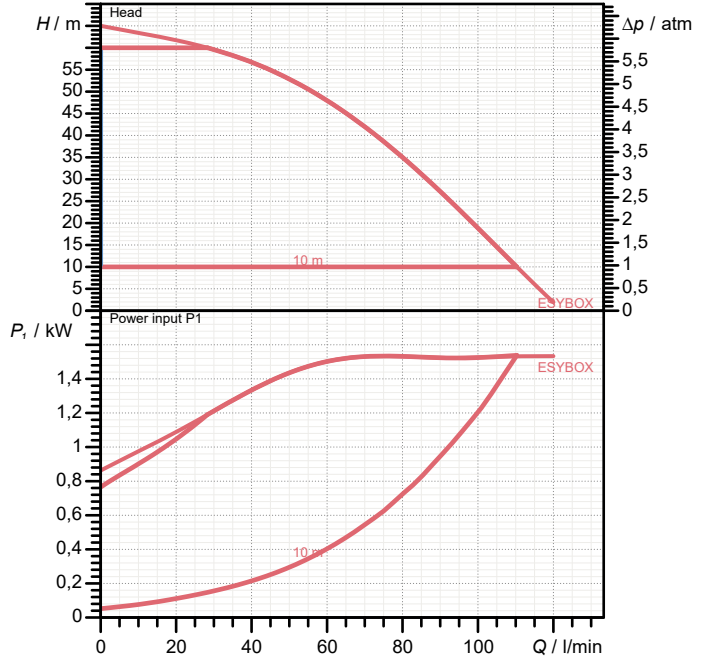
Requested data

Flow :
Head :
Fluid : Water
Fluid Temperature : 20 °C
Density : 998,3 kg/m³
Kinematic viscosity : 1,005 mm²/s
Vapor pressure : 0,0231 atm

Materials

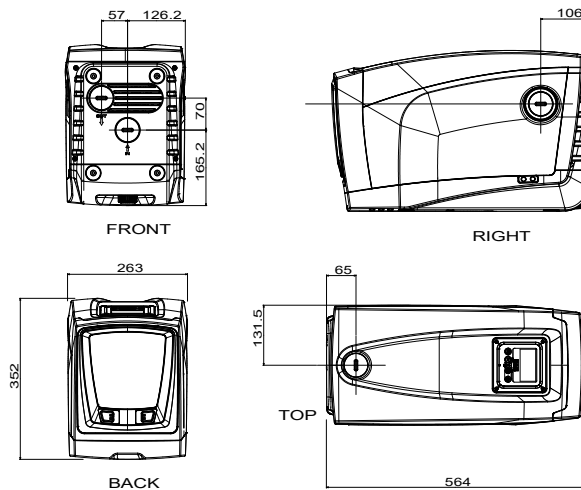
Motor flange Technopolymer
Rotor shaft Stainless Steel AISI 303
Motor liner Stainless Steel AISI 304
O-Ring NBR
Mechanical seal Impregnated carbon-resin/Silicon carbide/EPDM
Plugs Technopolymer
Suction case Technopolymer
Insert Brass nickel coated
Shutter Technopolymer
Spring AISI 303
Diffuser Technopolymer
Diffuser body Technopolymer
Impeller Technopolymer
Wear ring Stainless Steel AISI 316
Nut Stainless Steel AISI 316
Diffuser plug Technopolymer
Sintered plate Stainless Steel AISI 304
Pump body Technopolymer
Discharge section Technopolymer
Flow switch body Technopolymer
Discharge manifold Technopolymer
Non-return valve Technopolymer/Rubber/Steel
Tank Technopolymer/Rubber
Pressure sensor body Technopolymer

Curve tolerance according to ISO 9906



Hydraulic data (duty point)

Flow :
Head :



Dimensions in mm

--	--	--	--	--	--	--	--

Motor data

Power input P1 : 1,55 kW
Rated speed : 3.000 1/min
Rated voltage : 1~ 220-240 V 50 Hz
Nominal current : 10 A
Degree of protection : IP X4

Weight : 27 kg

Pump connection

Suction side : 1" G / 7,895 atm
Discharge side : 1" G / 7,895 atm



PERFORMANCE CURVES

2024-03-0€

Page 2 / 3

DAB PUMPS S.p.A.
Via Marco Polo, 14 - 35035 Mestrino (PD), Italy
Tel. +39 049 5125000 - Fax +39 049 5125950
www.dabpumps.com

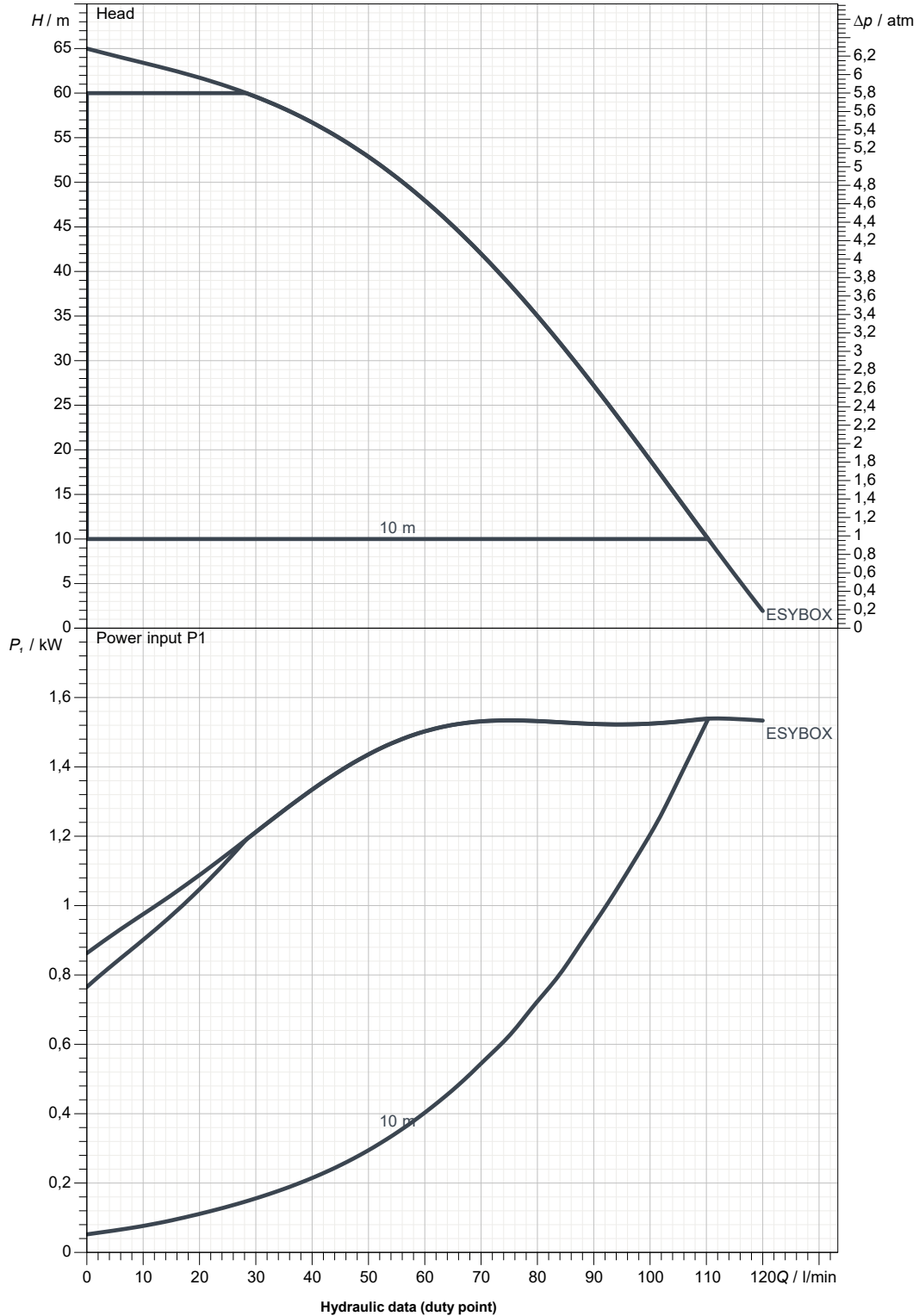
Receiver

From

Company
Reference
Address
Phone
Fax
E-mail

ESYBOX

Curve tolerance according to ISO 9906



Suction side :
1" G
7,895 atm

Discharge side :
1" G
7,895 atm

Flow :

Head :

Rated speed :
3.000 1/min

MAIN_PROJECT_TITLE

BUSINESS_PROCESS_ID

OWNER_

ISSUE_DATE
2024-03-08



DIMENSIONAL DRAWING

DAB PUMPS S.p.A.
Via Marco Polo, 14 - 35035 Mestrino (PD), Italy
Tel. +39 049 5125000 - Fax +39 049 5125950
www.dabpumps.com

2024-03-08

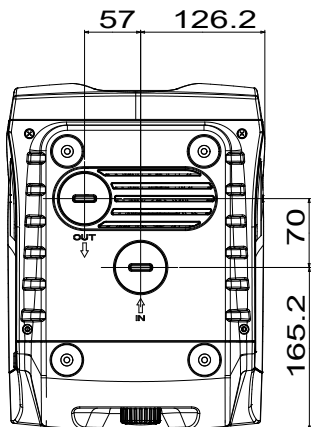
Page 3 / 3

Receiver

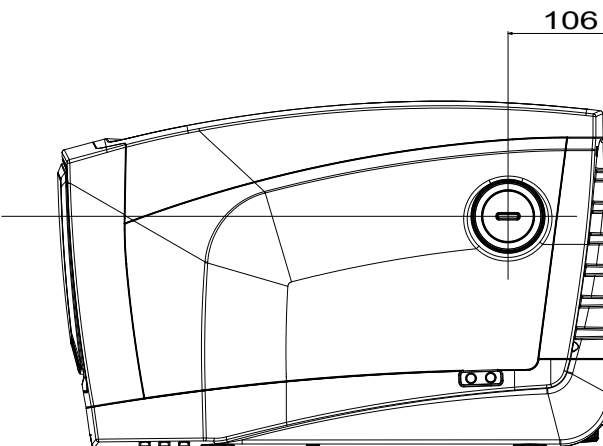
From

Company
Reference
Address
Phone
Fax
E-mail

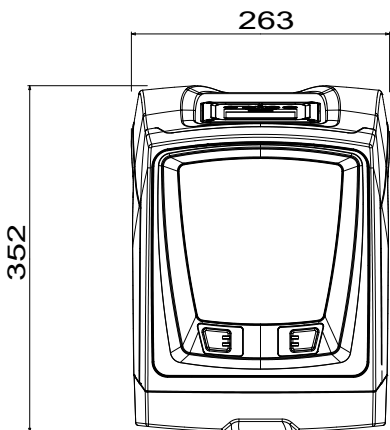
ESYBOX



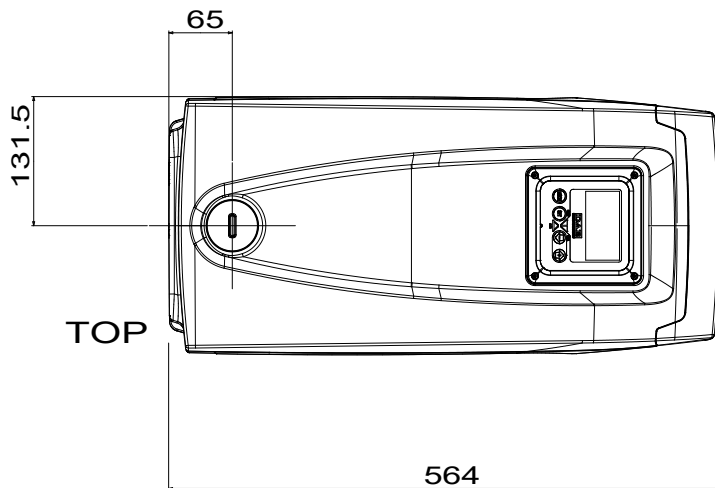
FRONT



RIGHT



BACK



TOP

Dimensions in mm						Pump connection
1						Suction
2						1" G
3						7,895 atm
4						Discharge
5						1" G
6						7,895 atm
7						
8						
9						
10						
11						
12						

MAIN_PROJECT_TITLE

BUSINESS_PROCESS_ID

OWNER

ISSUE_DATE

2024-03-08